

DECK-MOUNTED WASHBASIN MIXERS: INSTALLATION AND MAINTENANCE INSTRUCTIONS
MISCELATORI DA LAVABO DA PIANO: ISTRUZIONI PER L'INSTALLAZIONE E LA MANUTENZIONE
MITIGEURS DE LAVABO SUR PLAN: INSTRUCTIONS D'INSTALLATION ET ENTRETIEN
WASCHTISCHARMATUREN FÜR RANDMONTAGE: INSTALLATIONS- UND WARTUNGSANLEITUNG
GRIFERÍA DE LAVABO PARA MONTAJE EN SUPERFICIE: INSTRUCCIONES DE INSTALACIÓN Y MANTENIMIENTO

Page 2-3



RE001



RE001H



RE008

Page 4-5



RE004



RE004H

Page 6-7



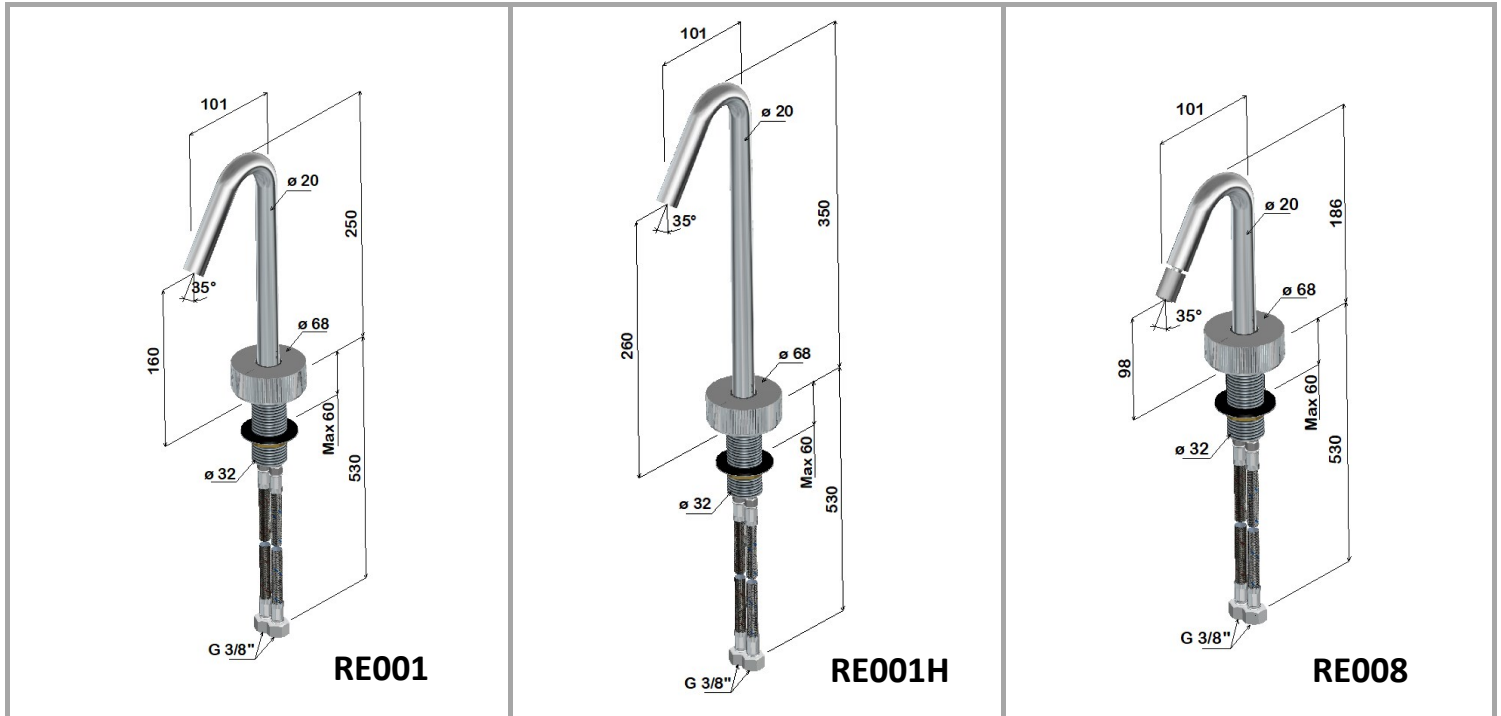
RE005

BEFORE STARTING - PRIMA DI INIZIARE - AVANT DE COMMENCER - VOR DEM START - ANTES DE EMPEZAR

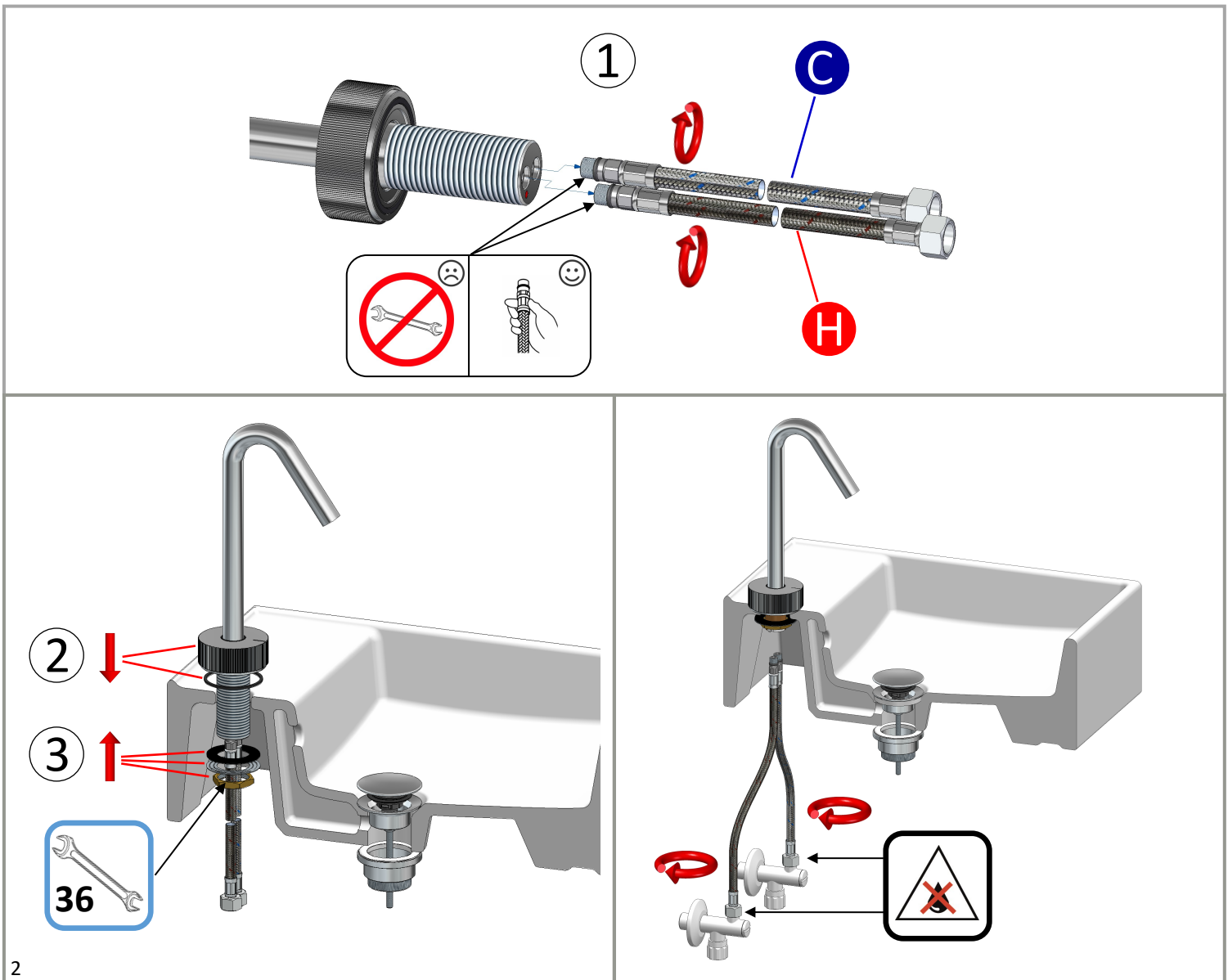
<p>P bar</p>	<p>MAX 5 MIN 1</p>	<p>3</p>		<p>FILTER TAPS RECOMMENDED</p>
<p>T °C</p>	<p>MAX 70</p>	<p>60 45</p>		

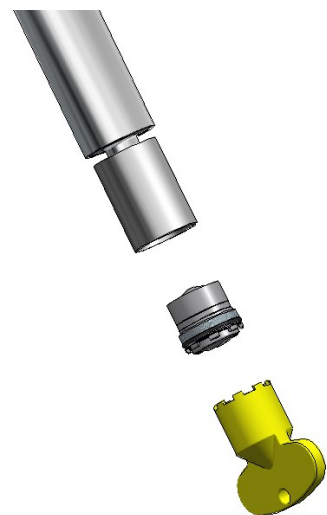
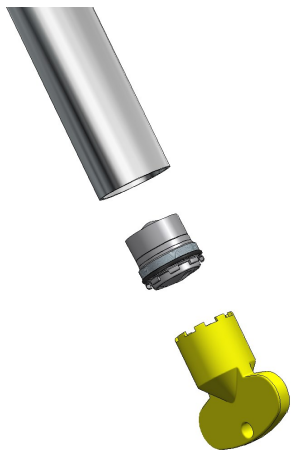
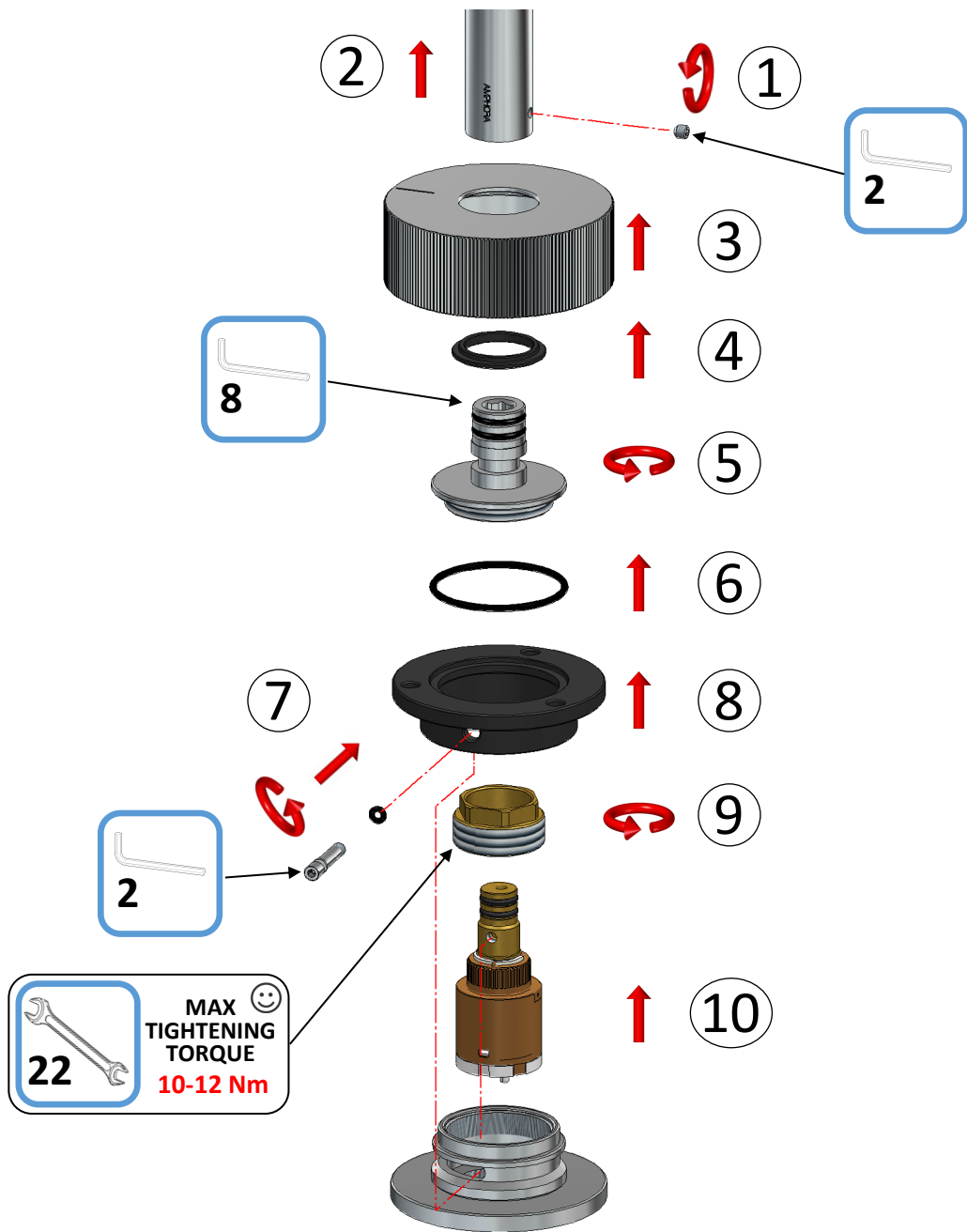
RE001 - RE001H - RE008

MEASUREMENTS - QUOTE - MESURES - MASSNAHMEN - MEDIDAS



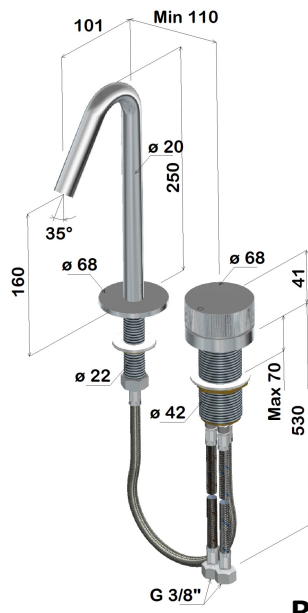
INSTALLATION - INSTALLAZIONE - INSTALLATION - INSTALLATION - INSTALACIÓN



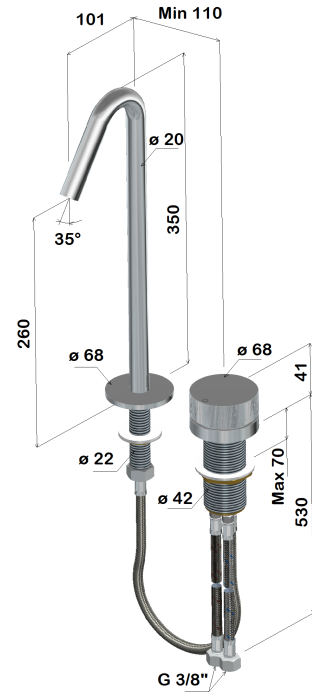


RE004 - RE004H

MEASUREMENTS - QUOTE - MESURES - MASSNAHMEN - MEDIDAS

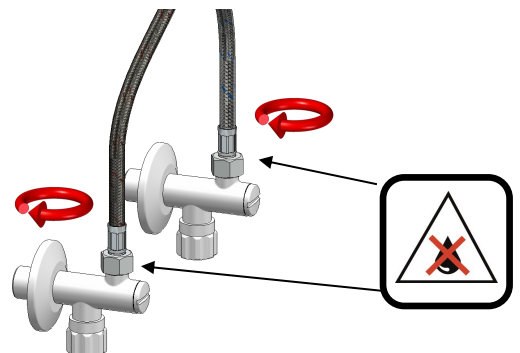
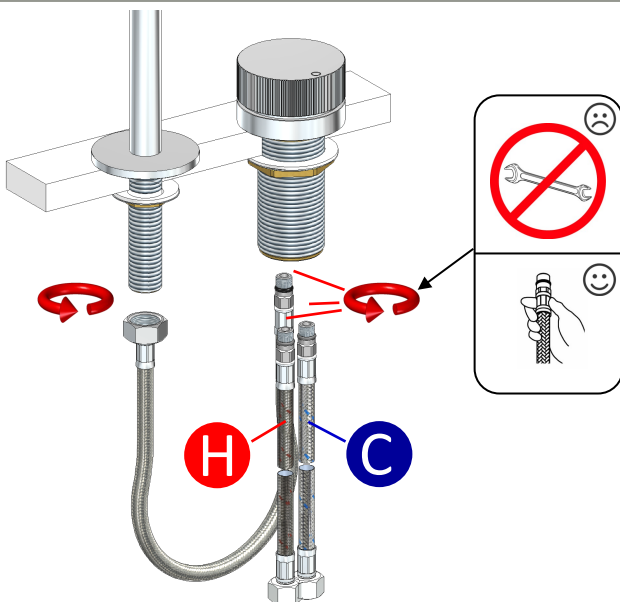
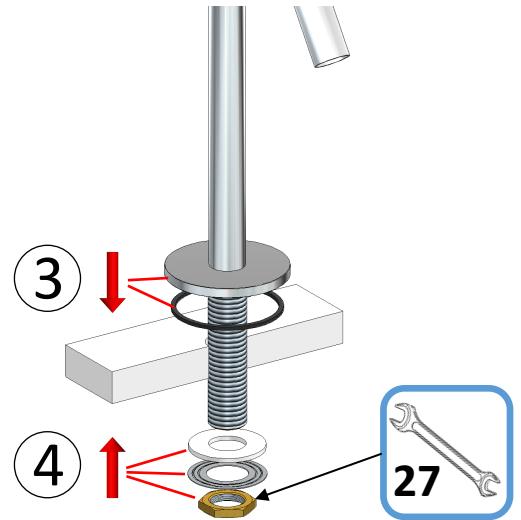
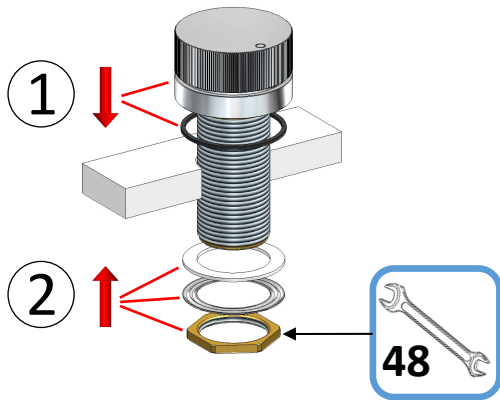


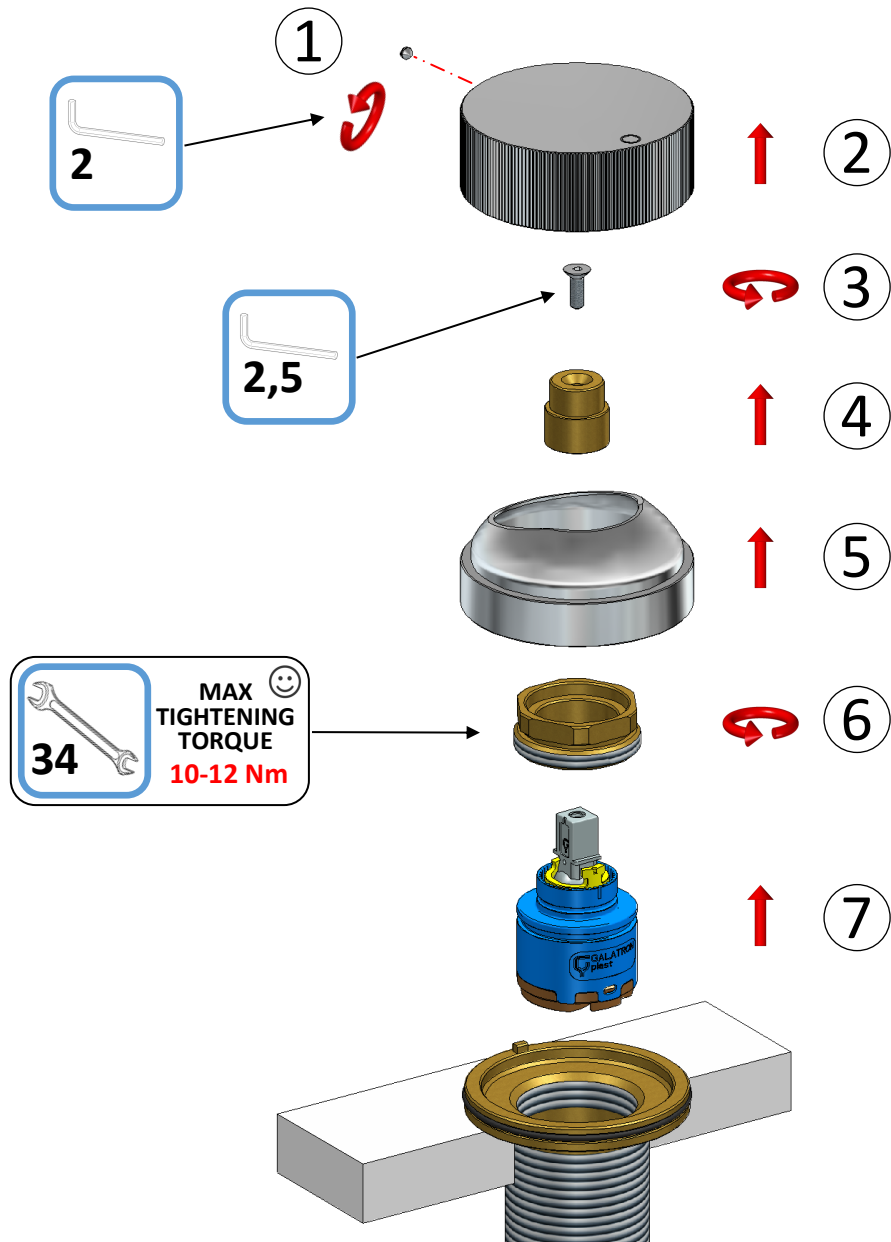
RE004



RE004H

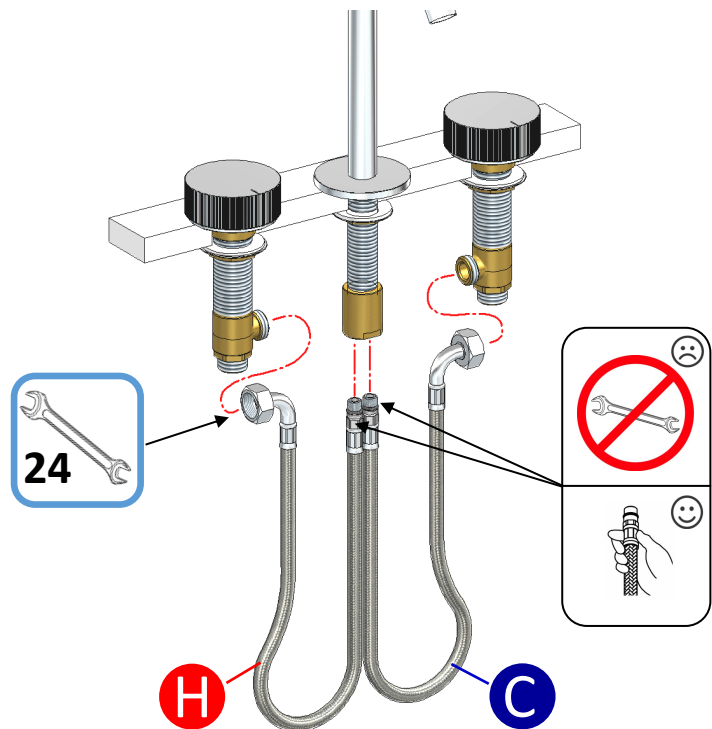
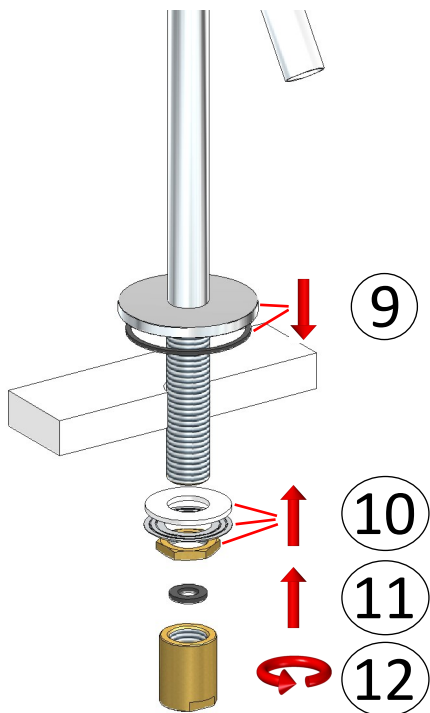
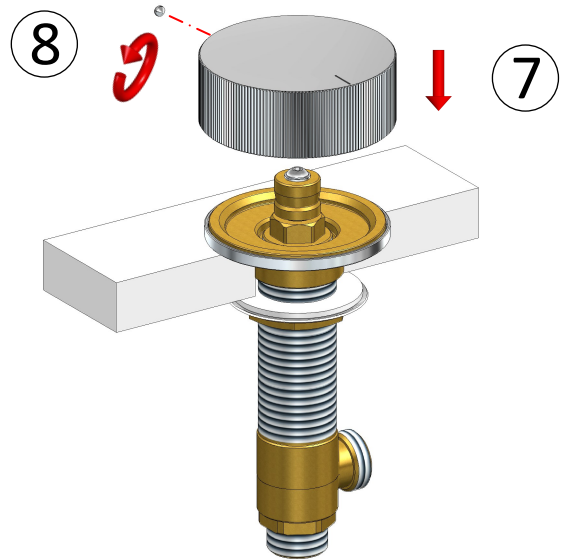
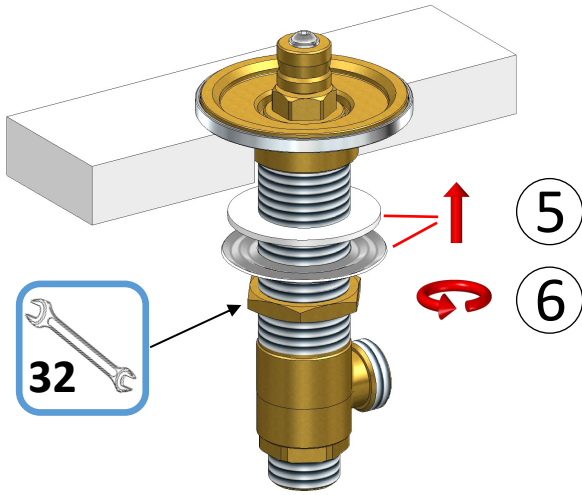
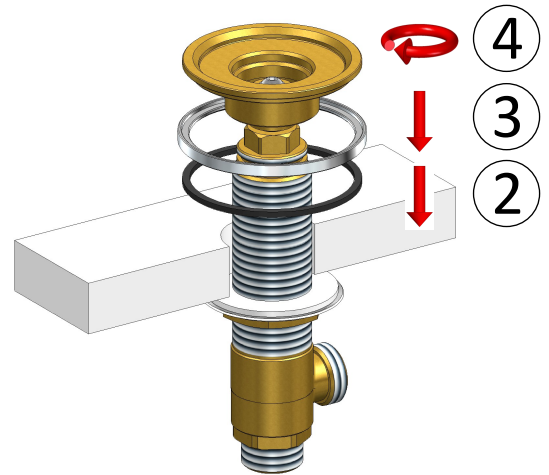
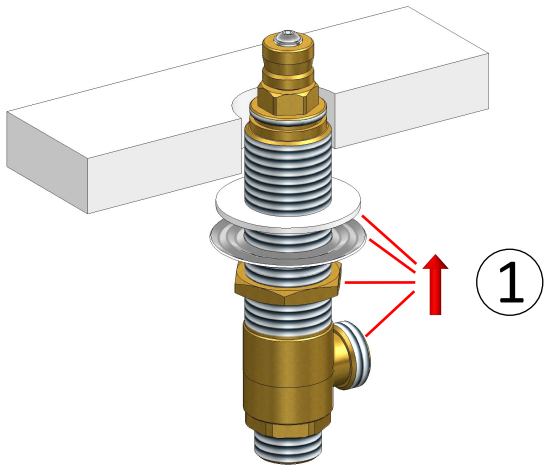
INSTALLATION - INSTALLAZIONE - INSTALLATION - INSTALLATION - INSTALACIÓN

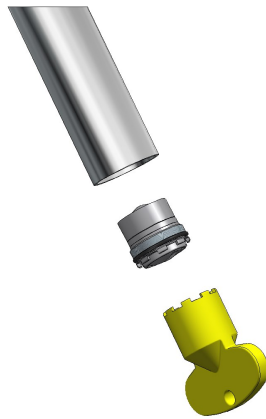
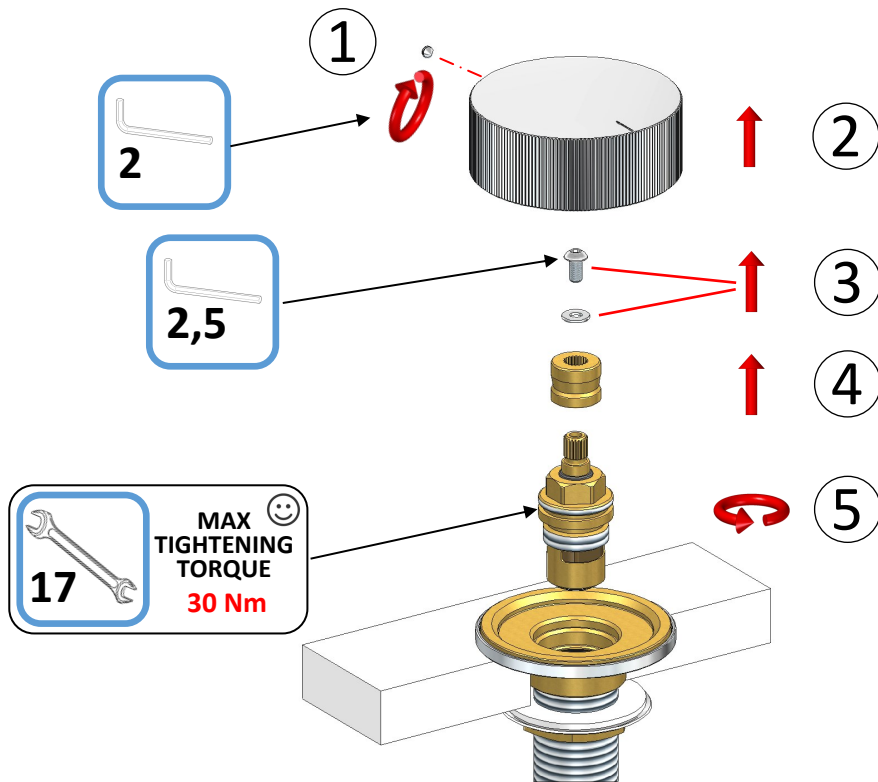




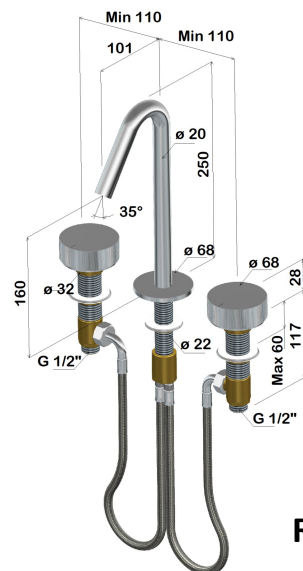
RE005

INSTALLATION - INSTALLAZIONE - INSTALLATION - INSTALLATION - INSTALACIÓN

































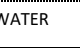
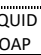
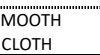
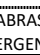
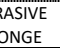
MEASUREMENTS - QUOTE - MESURES - MASSNAHMEN - MEDIDAS



RE005



CLEANING - PULIZIA - NETTOYAGE - REINIGUNG - LIMPIEZA

Finish		✓			✗	
BS Brushed Steel 316 stainless steel		 WATER ✓	 LIQUID SOAP ✓	 SMOOTH CLOTH ✓	 ACID/ABRASIVE DETERGENT ✗	 ABRASIVE SPONGE ✗
		 WATER ✓	 LIQUID SOAP ✓	 SMOOTH CLOTH ✓	 ACID/ABRASIVE DETERGENT ✗	 ABRASIVE SPONGE ✗
BB Brushed Black PVD finish		 WATER ✓	 LIQUID SOAP ✓	 SMOOTH CLOTH ✓	 ACID/ABRASIVE DETERGENT ✗	 ABRASIVE SPONGE ✗
		 WATER ✓	 LIQUID SOAP ✓	 SMOOTH CLOTH ✓	 ACID/ABRASIVE DETERGENT ✗	 ABRASIVE SPONGE ✗
BC Brushed Copper PVD finish		 WATER ✓	 LIQUID SOAP ✓	 SMOOTH CLOTH ✓	 ACID/ABRASIVE DETERGENT ✗	 ABRASIVE SPONGE ✗
		 WATER ✓	 LIQUID SOAP ✓	 SMOOTH CLOTH ✓	 ACID/ABRASIVE DETERGENT ✗	 ABRASIVE SPONGE ✗

AMPHORA
WATER SOURCE

Via dello Statuario 15
 I-55045 Pietrasanta - Italy
 info@amphoradesign.it